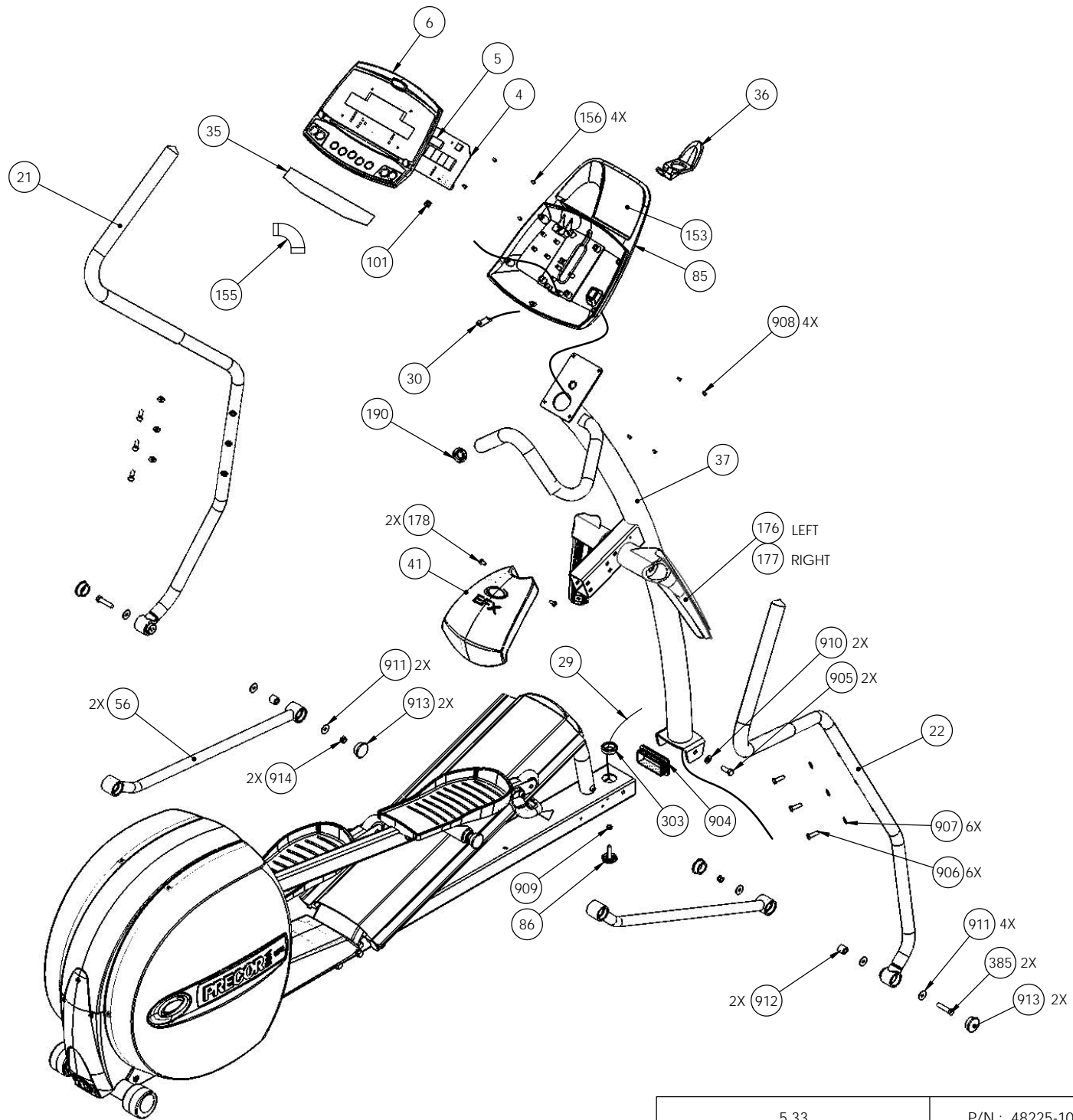
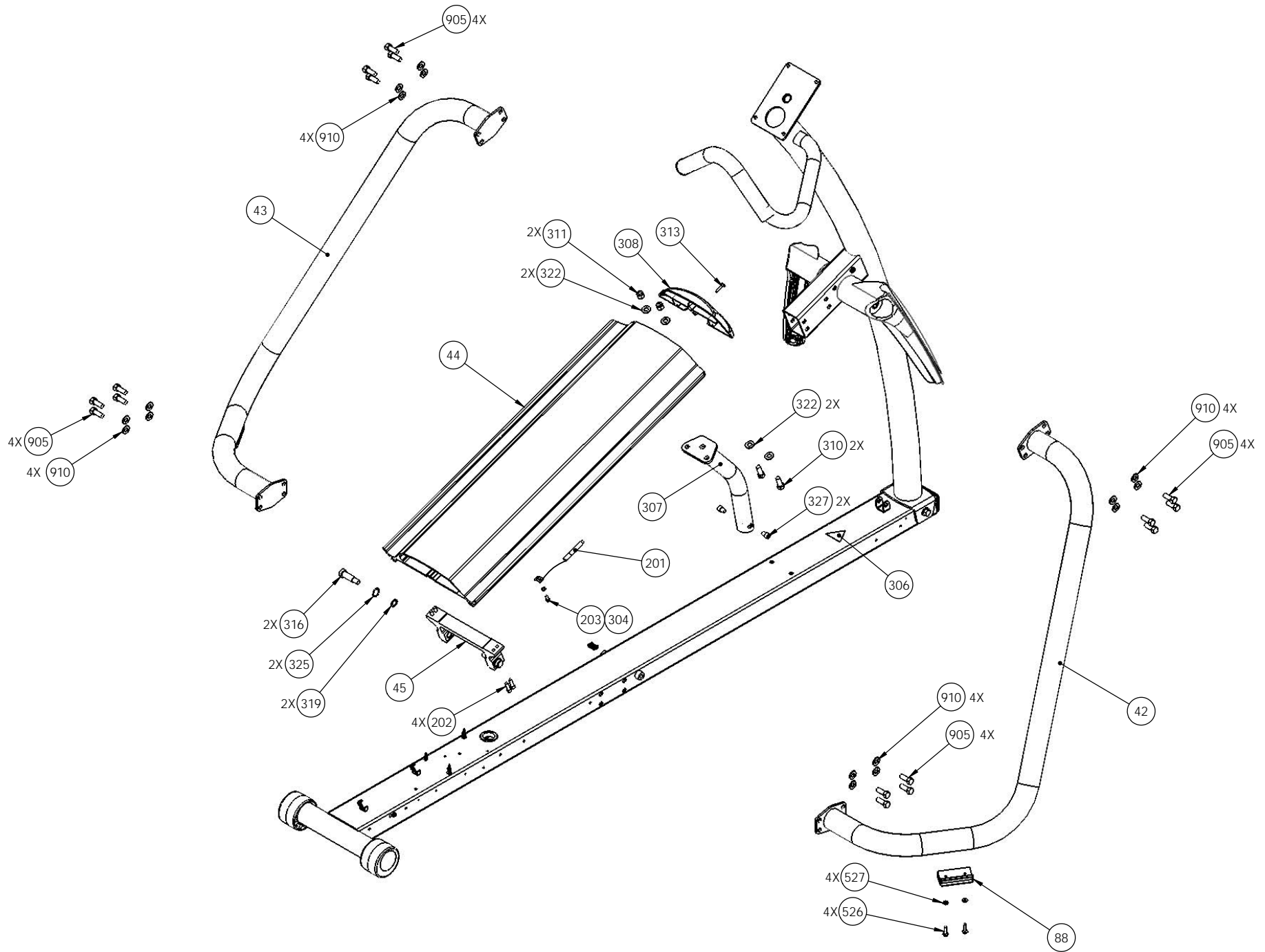


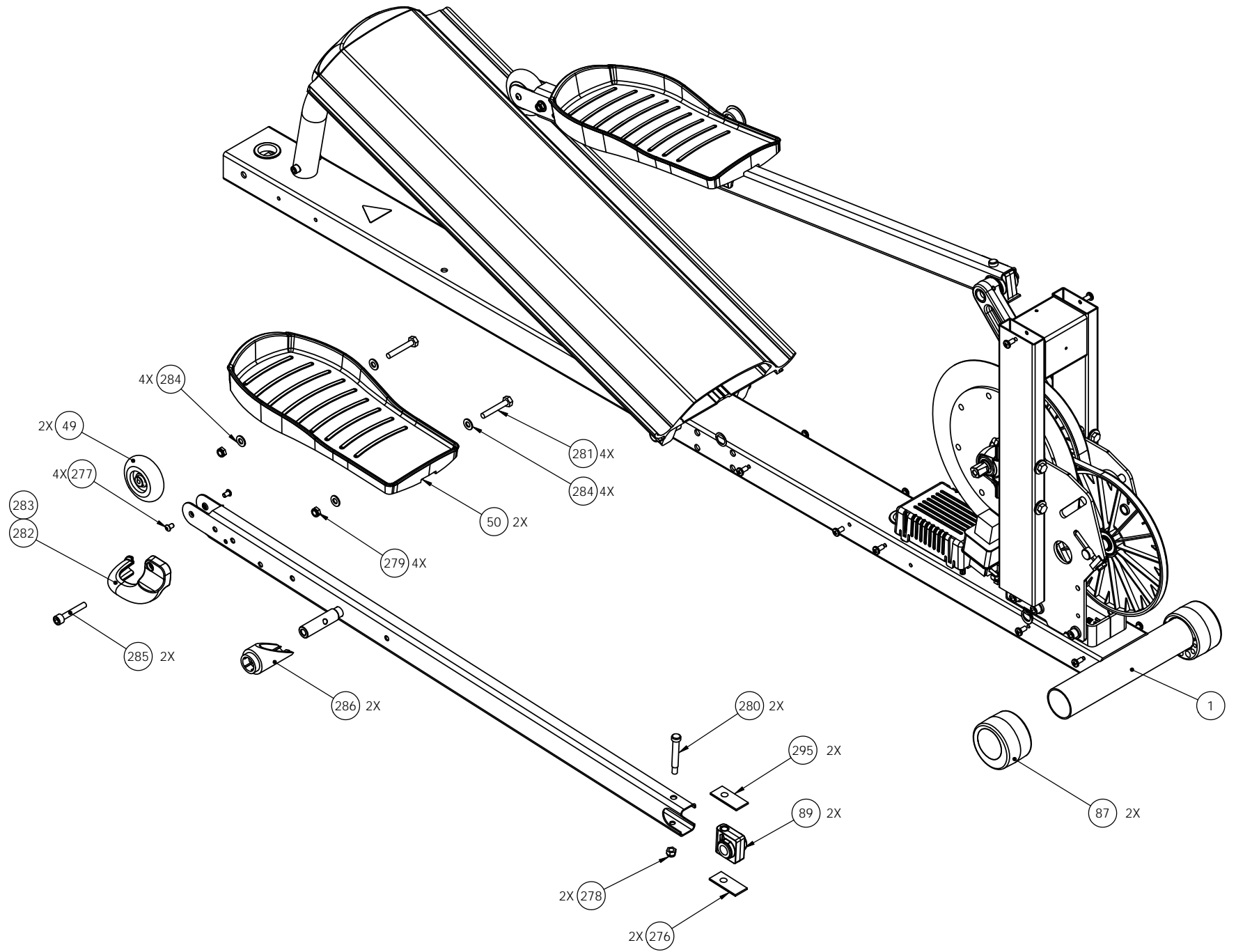
5.33	P/N : 48225-101	SUBREV : D02
DRAWN BY : C THOMSON	DATE : 06 NOV 2009	SHEET 1 OF 6



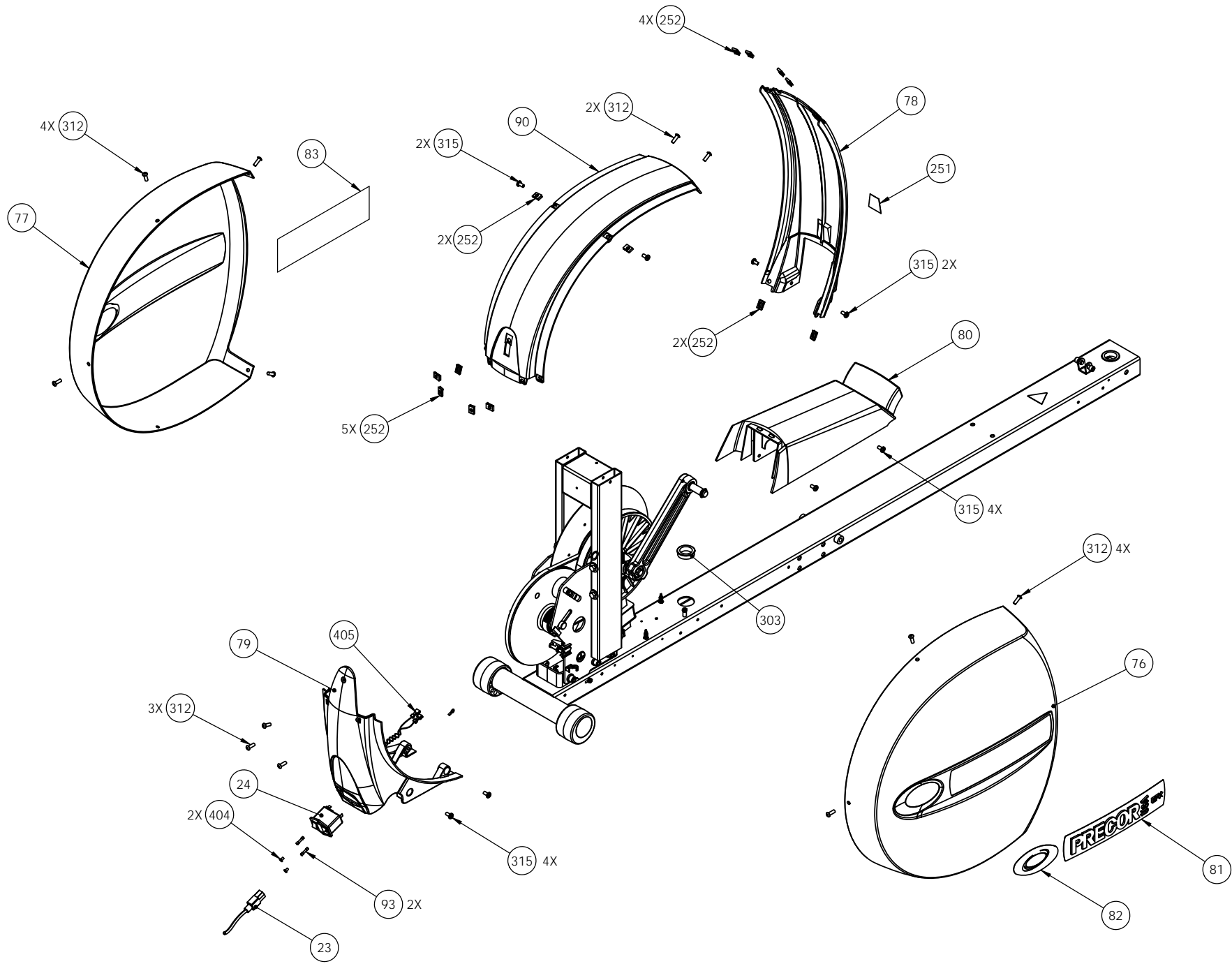
5.33	P/N : 48225-101	SUBREV : D02
DRAWN BY : C THOMSON	DATE : 06 NOV 2009	SHEET 2 OF 6



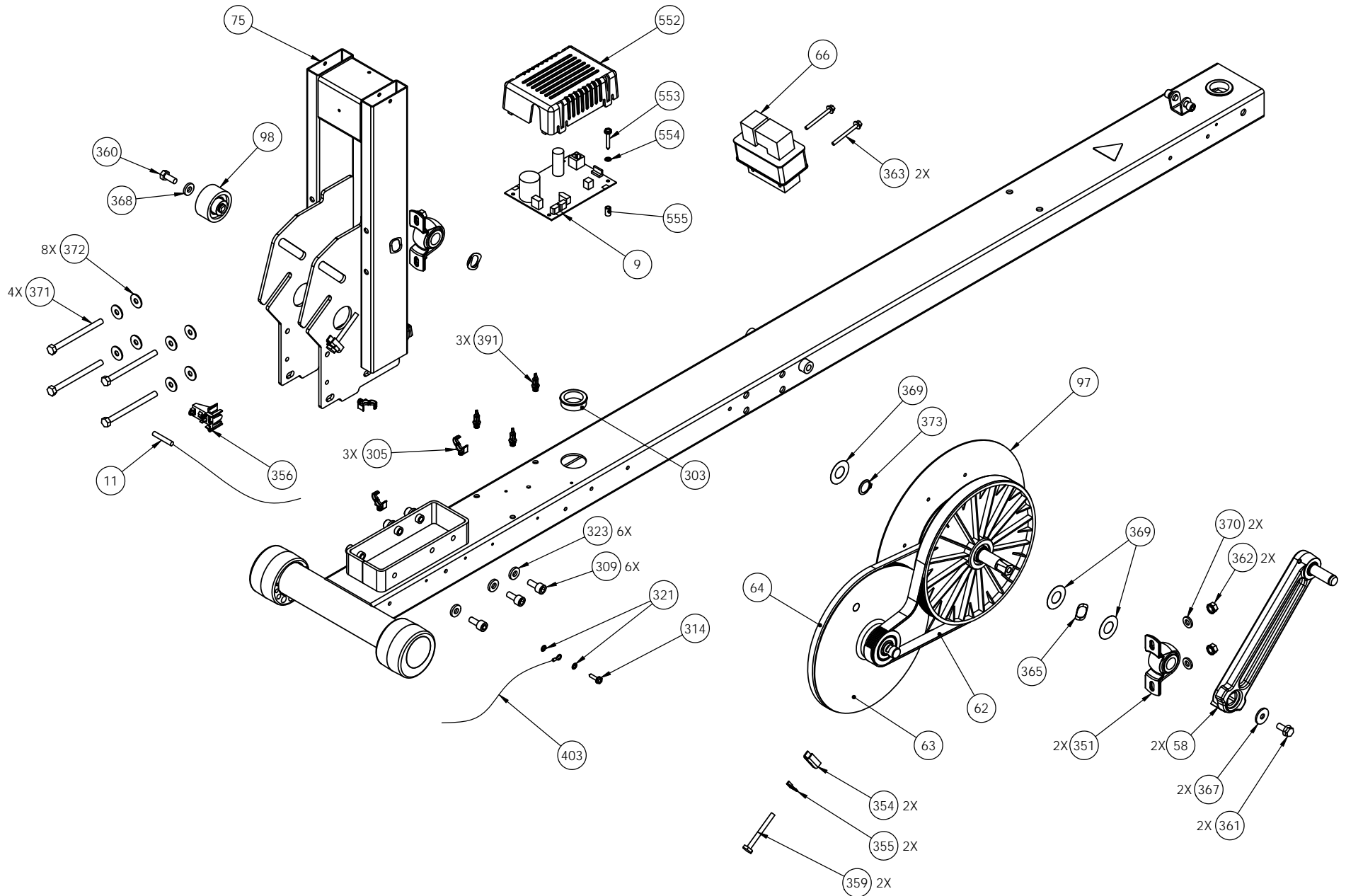
5.33	P/N : 48225-101	SUBREV : D02
DRAWN BY : C THOMSON	DATE : 06 NOV 2009	SHEET 3 OF 6



5.33	P/N : 48225-101	SUBREV : D02
DRAWN BY : C THOMSON	DATE : 06 NOV 2009	SHEET 4 OF 6



5.33	P/N : 48225-101	SUBREV : D02
DRAWN BY : C THOMSON	DATE : 06 NOV 2009	SHEET 5 OF 6



5.33	P/N : 48225-101	SUBREV : D02
DRAWN BY : C THOMSON	DATE : 06 NOV 2009	SHEET 6 OF 6

### 5.33 (serial code AAAB)

Part Number	Description	Bubble Number
45392-405	PCA, DISPLAY, T3	4
47793-101	ASSY, DISPLAY, TOUCHSENSOR, 5.33, T	6
44905-072	ASSY,CBL,MOD,8P8C,1-1,SILVER,72"	7
44905-072	ASSY,CBL,MOD,8P8C,1-1,SILVER,72"	8
47915-503	ASSY, PCA & SW, EFX 5.33, HHR,LOWE	9
44440-023	ASSEMBLY, REED SWITCH, 23"	11
47686-101	ASSY, HANDLEBAR, LEFT, 5.33	21
47686-102	ASSY, HANDLEBAR, RIGHT, 5.33	22
10392-111	POWER CORD,125VAC,10A,8.0 FT	23
12167-102	PWR ENTRY MOD & FILTER,250VAC,W/2.5	24
45201-202	IC,CPU,PGMD,EFX5.33,LWR,V2.02	27
11415-102	COUPLER,MOD,8P8C,INLINE,SNAP-IN	29
49725-101	RECEIVER, WIRELESS, HEART RATE, HIG	30
38819-103	TRANSMITTER, POLAR T34, HEARTRATE,W	31
43329-102	WIRE FORM,PLASTIC,COMMERCIAL	36
44322-105	WELDMENT, ARC TUBE, THREADED, 5.33,	37
44384-102	COVER, UPPER MOUNT, RETAIL EFX, STO	41
44318-106	WELDMENT, MAIN TUBE, RIGHT, RETAIL	42
44318-105	WELDMENT, MAIN TUBE, LEFT, RETAIL E	43
44332-102	ASSY, RAMP, 5.33	44
44333-103	ASSY, RAMP, LIFT BRKT, RETAIL EFX	45
46855-104	WELDMENT,STAIRARM RAIL,5.19, EFX,RH	47
46855-103	WELDMENT,STAIRARM RAIL,5.19, EFX,LH	48
48337-101	ASSY, STAIRARM WHEEL, CONSUMER EFX,	49
37314-108	PEDAL, FOOT	50
45994-101	ASSEMBLY,LINK,TOTAL BODY	56
44363-103	ASSEMBLY, CRANK ARM, RETAIL, W/PRES	58
10217-130	BELT, DRIVE, POLY V (DAYCO 27-0628)	62
44301-101	ASSY, STEP-UP PULLEY,RETAIL EFX,5X3	63
10217-131	BELT, DRIVE, POLY V (DAYCO 27-0627)	64
47888-101	ELECTROMAGNET,EC BRAKE,.093" 2 POS	66
47549-101	WELDMENT, DRIVE, EFX, PAINTED	75
CATN025-088	SCREW,SKHD,1/4-20X7/8,BLK SHARPERIZ	75
43606-117	ASSY, EFX COVER, RIGHT RETAIL, STON	76
43606-112	ASSY, EFX COVER, LEFT,5.33,STONE GR	77
44479-102	ASSY, FRONT PANEL, EFX COVER, REAR,	78
43707-103	SUPPORT, REAR COVER,STONE GRAY	79
43840-102	WEDGE, REAR COVER, EFX,STONE GRAY	80
47891-101	LABEL, EFX COVER, REAR, PRECOR BLUE	81
47355-101	LABEL, EFX LOGO, REAR COVER, DURO-L	82
47526-101	LABEL, WIRING DIAGRAM 5.33	83
43179-104	BACKPLATE, DISPLAY, COMMERCIAL ,STO	85
11406-103	FOOT, LEVELER, RUBBER BASE, 1.5"LG	86
44916-102	FOOT, ADJUSTABLE	87
37535-102	FOOT, FIXED	88
38301-101	ASSY,PIVOT BLOCK	89
44480-103	ASSY, TOP PANEL, EFX COVER, REAR, S	90
12223-250	FUSE,TIME-DELAY,2.5A,250V,5X20MM	93

44300-103	ASSY, DRIVE INPUT, RETAIL	97
38320-104	IDLER,PULLEY	98
12264-101	RJ-45 TELEPHONE JACK PLUG	101
12153-101	FERRITE,CLAMP-ON,RND CABLE,28 MATL	102
10123-102	CABLE TIE, 3-7/8 LONG,WHITE,NYL	151
PMTN016-050	SCREW,TCS,#8X1/2,PHIL,BLK SHARPERIZ	152
47523-103	LABEL, ACCESSORY TRAY, ENG, 533	153
45696-032	ASSY,CBL,FFC,12COND,28AWG,3.2"	155
MGCN016-038	SCREW,MCH,8-32X3/8,PANHD,PHIL,	156
44391-503	ASSY,CASTING,UPPER,LEFT,OUTSRCD	176
44391-504	ASSY, CASTING, UPPER, PIVOT, RT, OU	177
PANTN025-050	SCREW,S/T,#1/4-20X1/2,PANHD,PHIL,TR	178
38580-114	GRIP,HANDLEBAR, 14" LONG	189
47718-102	HOLE PLUG, PLASTIC .875 X.13-.18	190
11476-102	PIN, RING, LOCKOUT	201
CAKN025-088	SCREW,SKHD,1/4-20X7/8,BLK ZN	202
CBTN019-050	SCREW,SKHD,#10X32X0.50,BLK SHRPRZD	203
WATNN020-002	WASHER, LK-INT, #10, ID=.200,	204
47546-101	LABEL, CAUTION	251
10136-103	CLIP,U TYPE, TINNEMAN, 1/4-20	252
50583-101	CS KIT, FOOT PEDAL PLUG, EFX, 12 PC	270
48340-101	SPACER, RAIL, URETHANE	276
TENE006-010	SCREW,BTTNHD,SKT C/S,M6X1X10MM	277
KDTN031-025	LOCKNUT, FULL, 5/16-18,BLK SHARPERI	278
KATN031-016	LOCKNUT,HALF, 5/16-18,BLK SHARPERIZ	279
RANN031-200	SCREW,SHLD,5/16 X 2,HEXSC	280
HATN031-200	SCREW, HEX HD, 5/16-18 X 2, BLK SHA	281
47773-102	HOOK, STAIRARM, 5.33, LH	282
47773-101	HOOK, STAIRARM, 5.33, RH	283
WEGN031-007	WASHER, FLT, 5/16X.688X.065,SS, BLK	284
CATN031-200	SCREW,SKHD,5/16-18X2,BLK SHARPERIZE	285
47000-101	SPACER, LINK/STAIRARM,556I	286
48340-102	SPACER, RAIL ,URETHANE, RED	295
AAHN063-003	RING, RETAINER, 5/8, EXTERNAL	301
10178-112	BUSHING, SNAP	303
12515-101	CLAMP, CABLE, BLACK, RELEASABLE ON	305
33984-101	LABEL, SAFETY, GROUND SYMBOL	305
47545-101	LABEL, CAUTION PINCH POINTS	306
47682-101	WELDMENT, RAMP SUPPORT, PAINTED	307
44386-102	COVER, RAMP FRONT, 5.33, STONE GRAY	308
CATN031-075	SCREW,SKHD,5/16-18X0.75,BLK SHARPER	309
HATN038-100	SCREW,HEXHEAD,GRADE2,3/8-16X1,BLK S	310
KDTN038-034	LOCKNUT,FULL,3/8-16,BLK SHARPERIZED	311
TFTN025-075	SCREW,BTHD,1/4-20X3/4,BLK SHARPERIZ	312
PGTN016-100	SCREW, S/T, #8 X 1, TRS, PHIL, BLK	313
PKCN019-075	SCREW,S/T,#10X.75,WSHHXHD,ZN	314
PANTN025-050	SCREW,S/T,#1/4-20X1/2,PANHD,PHIL,TR	315
RANN038-125	SCREW,SHLDR,3/8 X 1 1/4 ,HEX	316
WAGNN062-001	WASHER, WAVE, .87 OD X .62 ID	318
WAGNN048-001	WASHER,WAVE (SSR-0062)	319
WATNN020-002	WASHER, LK-INT, #10, ID=.200,	321



WEGN038-007	WASHER, FLT, 3/8, ID=.406, SS, BLK	322
WBANN034-013	WASHER,FLAT,ID=11/32,OD3/4,TH=.125,	323
WNNN063-001	WASHER, FLT, 5/8X.880X.010	324
WNNN051-002	WASHER,SHIM,1/2X3/4X.020THK	325
CATN031-048	SCREW,SHC, 5/16-18X7/16 LG, BLK SHA	327
ACHN131-003	RING, RETAINER,INTERNAL, 1.312 SPIR	349
11245-104	BUSHING,HEAVY DUTY PILLOW BLK	351
37385-101	BRACKET, TENSIONER	354
37855-103	TAB, LOCKING	355
47553-102	RETAINER, SENSOR	356
HACN025-200	SCREW,1/4-20 X2, HEX, GR 2,ZN	359
HCCN031-075	SCREW, HEX HD, GRADE 5, 5/16-18 X .	360
HRWE031-075	SCREW, SERRATED FLANGE HD, HEX, NYL	361
KGCN031-027	LOCKNUT,STARWASHER,5/16-18,1/2	362
MACN019-200	SCREW,HEX WASHER HEAD, #10-32 X 2.0	363
WAHNN080-021	WASHER, WAVE .800 ID X 1.103 OD X	365
WNNN032-009	WASHER,FLT, .321X1.00X.090 THK	367
WBANN034-013	WASHER,FLAT,ID=11/32,OD3/4,TH=.125,	368
WNNN075-001	WASHER,SHIM, .75X1.50X.010 THK	369
HCCN031-400	SCREW, HEX HD, GRADE 5, 5/16-18	371
AAHN078-004	RING,EXTERNAL,.781,.042THK	373
HCCE038-150	SCREW,HEX,GR 5,3/8-16X1 1/2,ZN,LK	385
12531-101	STANDOFF,PCB SUPPORT,BLIND HOLE,SNA	391
37436-101	LABEL, CHASIS NEUTRAL	401
44435-021	ASSY,CBL,2-COND,18AWG,21",QK DISC	402
44437-013	ASSY, CABLE, GND,RING/QK DISC,13"	403
MNCN013-031	SCREW, MCH,6-32X5/16,FLTHD,PHIL	404
PKCN019-075	SCREW,S/T,#10X.75,WSHHXHD,ZN	526
WBCN019-005	WASHER, SAE, #10, ZN	527
47774-103	COVER, LPCA, 5.3X	552
PKCN019-125	SCREW,S/T,#10X1.25,WSHHXHD,ZN	553
WATNN020-002	WASHER, LK-INT, #10, ID=.200,	554
12529-101	SPACER, #10 X 1/2" LONG, ZN	555
47792-101	KIT, HARDWARE, THREADED, 5.33/C556I	901
HCCE038-200	SCREW,HEX,GR 5,3/8-16X2,ZN,LK	903
11311-101	ENDCAP, REC TUBE, BLACK PLASTIC, 50	904
HATN038-100	SCREW,HEXHEAD,GRADE2,3/8-16X1,BLK S	905
HCTN031-100	SCREW,HEX,GR 5, 5/16-18 X1LG,BLK SH	906
WBZN031-007	WASHER, FLT, 5/16, ID=.344,BLK CVS	907
MGTN025-050	SCREW, PANHD, 1/4-20 X .5, BLK SHAR	908
KPCN031-019	NUT,HEX THIN,5/16-18,ZN	909
WEGN038-007	WASHER, FLT, 3/8, ID=.406, SS, BLK	910
WCCN038-008	WASHER, FLT, 3/8X1.00X.083	911
47001-101	SHAFT, LINK BUSHING, 556I	912
47002-101	CAP, TUBE, PLASTIC, ROUND, 1.625 DI	913
KATN038-027	LOCKNUT,HALF,3/8-16,BLK SHARPERIZED	914
48164-104	KIT, LITERATURE, 5.33	999